

SD-60T



DRIVER UNIT WITH LINE TRANSFORMER

UDE's experience in the design of horn speakers has made it possible to make the **SD-60T** Driver, which is based on three pivotal characteristics: High Performance, Voice Intelligibility and Reliability. It also provides good music playback.

The **SD-60T** driver is coupled to the BP-30 and BG-50 exponential horns depending on the application.

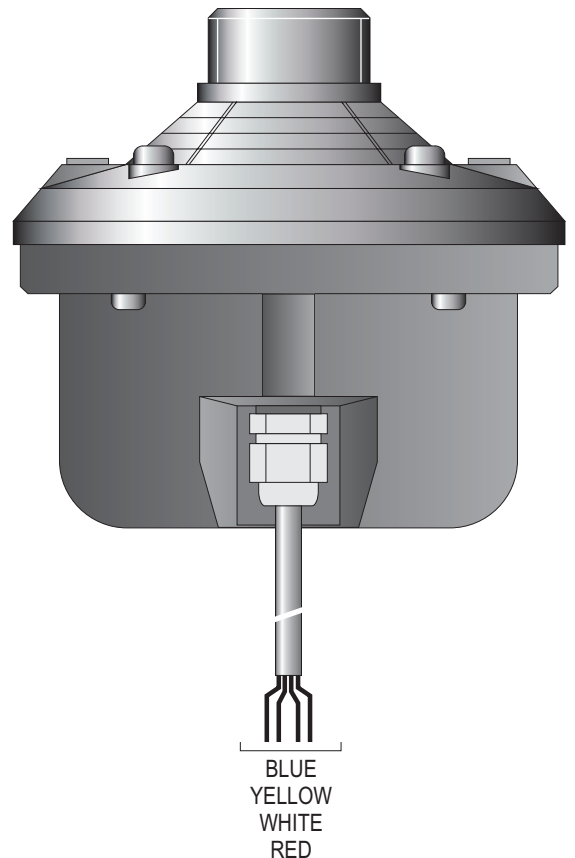
FEATURES

- ✓ High performance
- ✓ Maximum mechanical and electrical resistance
- ✓ Penetrating sound that enhances voice
- ✓ Indoor and outdoor applications
- ✓ Long service life
- ✓ Reinforced phenolic resin moulded membrane
- ✓ Membrane auto-alignment device

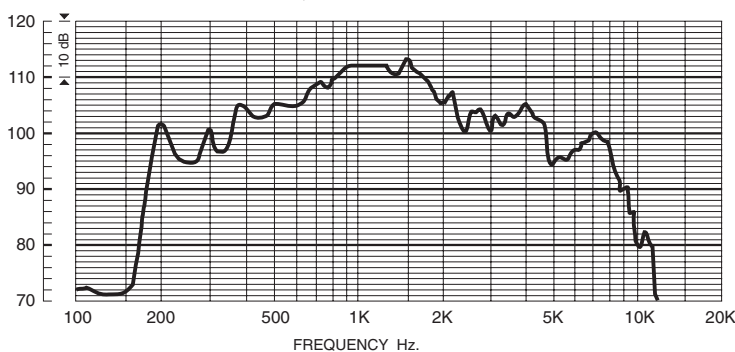
SPECIFICATIONS

- Rated power:	60 W. RMS.
- Impedance:	666 Ω , 333 Ω , 167 Ω .
- Frequency response:	160 at 11000 Hz.
- Sensitivity (*):	110 dB 1 W./1 m./1,5 Khz.
- Driver Horn coupling:	RW 1 3/8" (18 wires").
- Colour:	Anthracite grey and black.
- Membrane:	MSD-60T.
- Wiring:	Lead. Delivered with 1 m. long cable.
- Dimensions:	\varnothing 118 x 110 mm.
- Weight:	1,80 Kg.

(*): Coupled to the BG-50 horn



FREQUENCY RESPONSE



POWER SELECTION

L.100V			
+			-
60W	30W	15W	Común Commun Common
167 Ω	333 Ω	666 Ω	
AZUL BLEU BLUE	AMARILLO JAUNE YELLOW	BLANCO BLANC WHITE	ROJO ROUGE RED

Electroacústica



www.udeaudio.com

Main Office Avda. BARCELONA, 24
08970 - SANT JOAN DESPÍ
BARCELONA - ESPAÑA
Tel: 34-93 477 28 54
Fax: 34-93 261 17 52
ude@udeaudio.com

Madrid Delegation C/ LUIS I, 88, 3ª planta
28031 - MADRID
ESPAÑA
Tel: 34-91 311 60 76
Fax: 34-91 450 19 97
centro@udeaudio.com

ISO 9001
BUREAU VERITAS
Certification



UDE reserves the right to modify the technical characteristics of its products without previous notice

610.222A | 1 / 1