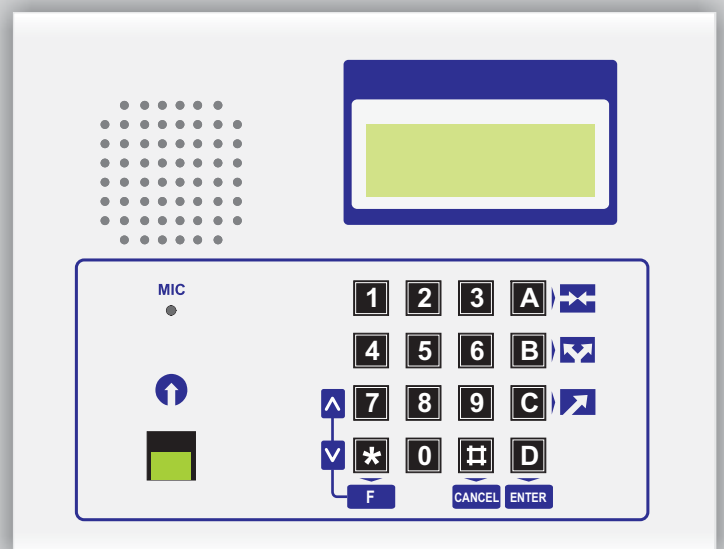




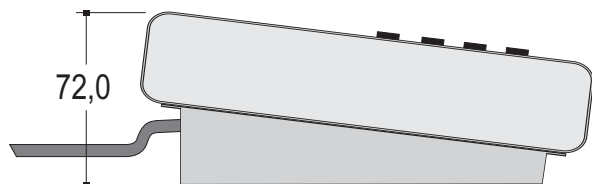
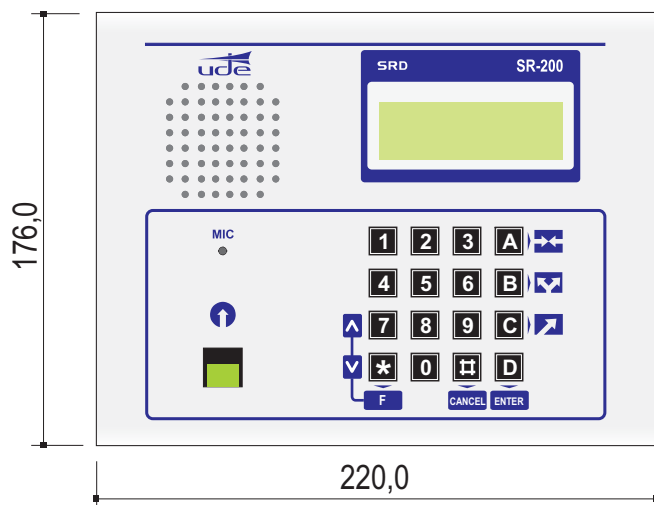
## Nurse Call System

### SRD

**SRD Nurse Call System** allows visual and acoustic signaling of calls made from different rooms and areas, and establish two-way intercom talking between each secondary station.



## SR-200 CENTRAL



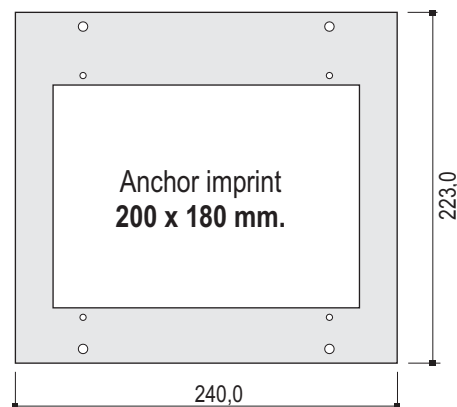
### Control central point SR-200 office format, with:

- Selection of lines and functions keyboard.
- Alphanumeric LCD display backlit 4 x 20 characters.
- Built-in electret microphone.
- Speaker of receipt.
- Setting the reception level and the acoustic tone of appeal level.
- Visual and acoustic signalling calls.
- Visual indication of the selected area.
- Alphanumeric keyboard.
- Its main function is call signalling and management made in different rooms and intercommunication with them as well. Supplied with Transfer Module.

By the **UDECONF- SR200** software you can configure in the SR-200 central the following parameters:

- Name and ID number of the SR-500 desk.
- Name of each zone.
- Extension number of each zone.
- Zones assigned to each desk.
- Floor/Group situation zone.
- Name of each zone to give the message by telephone interface.

### ACCESSORIES (OPTIONALS)



### IW-500

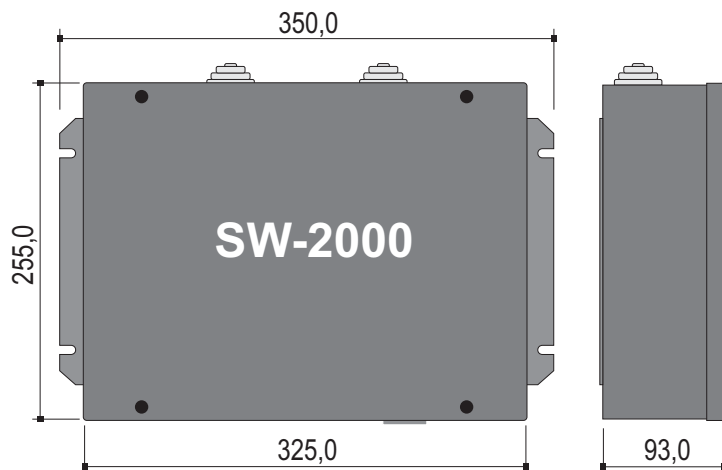
BUILT-IN SR-200 CENTRAL

## TRANSFER MODULE

### Transfer Module.

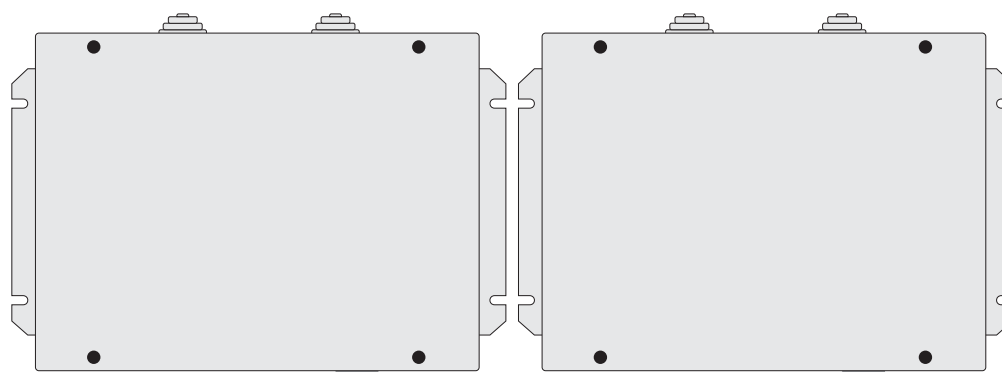
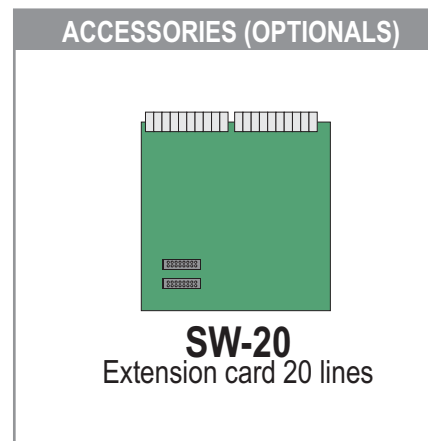
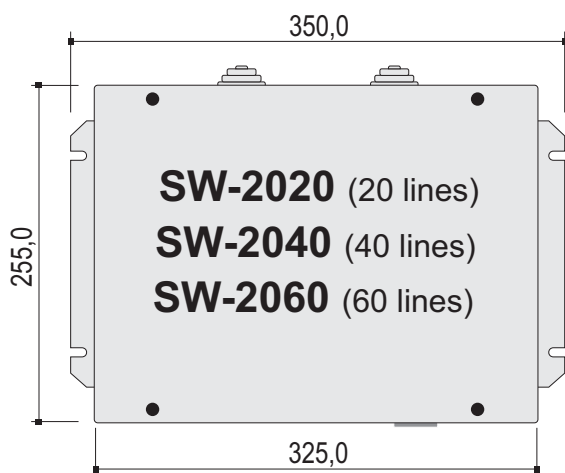
Allows the connection with a second SR-200central. It is therefore possible to divert all calls to its management system in this central.

**Note.** This module does not allow the connection of secondary and still requires a SW-25power source.



## MANAGEMENT, TRANSFER AND CONNECTION MODULE

**Management, audio and connections module.**  
Allow connection with intercom and an ID-200 central.

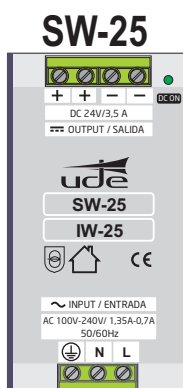


**SW-2080** (80 lines) = SW-2060 + SW-2020  
**SW-2100** (100 lines) = SW-2060 + SW-2040  
**SW-2120** (120 lines) = SW-2060 + SW-2060

### POWER SOURCE

#### Power source SW-25

Exchanged power source of 24 Vdc high-performances. DIN rail mounting. By the number of secondary, may need more than one source.



LOAD CAPACITY	
MAIN SOURCE	
SR-200	1
SW-18	1
SR-204	60

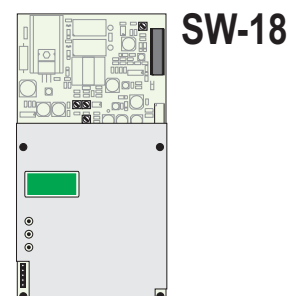
LOAD CAPACITY	
EXTRA SOURCE	
SR-204	80

### TELEPHONE INTERFACE

#### Telephone interface SW-18.

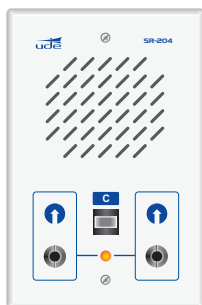
It allows you to forward calls to a two threads phone (type DEC) or a PBX to manage incoming calls in the ID-200 central diverted to the phone.

Each ID-200 central can support one IW-18 module.



## SR-204

### SR-204 Room secondary



**With:**  
Microphone / Speaker intercommunication with SR-200 central.  
Driver plenum.  
Call cancel button.

**Accessories:**

**CW-93.** Housing for recessed in solid wall.  
**CW-83.** Surface Mount Box.

## CW-10

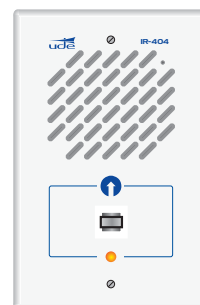
### CW-10 Call button (pear type)



**With:**  
Jack 6.35 mm connector.  
Wire length: 1.70 meters.

## SR-404

### IR-404 Interphone



**With:**  
Microphone / Speaker intercommunication with SR-200 central.  
Driver plenum.  
Call cancel button.

**Accessories:**

**CW-93.** Housing for recessed in solid wall.  
**CW-83.** Surface Mount Box.

## CW-23

### CW-23 Viewfinder above door Recessed



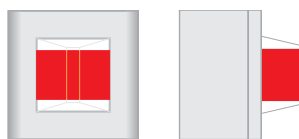
**With:**  
Pilot call sign.  
Color: red

**Accessories:**

**CW-95.** Housing for recessed in solid wall.

## CW-24

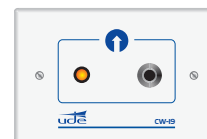
### CW-24 Viewfinder above door Recessed



**With:**  
Pilot call sign.  
Color: Red

## CW-19

### CW-19 Auxiliary call module



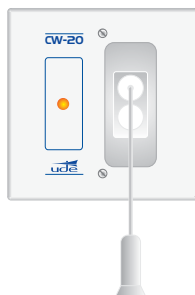
**With:**  
Connector for 1 CW-10 call button. Driver plenum.  
It is used when in a room it will take more than 2 CW-10 buttons, or a SR-204 secondary is far from the beds.

**Accessories:**

**CW-92.** Housing for recessed in solid wall  
**CW-82.** Surface Mount Box

## CW-20

### CW-20 Bath call module Bath in the room



**With:**  
Call button with 1.4 m length draw cord.  
Driver plenum.

**Accessories:**

**CW-91.** Housing for recessed in solid wall  
**CW-81.** Surface Mount Box

## CW-22

### CW-22 Bath call room Independent bathroom



**With:**  
Call button with 1.4 m length draw cord.  
Driver plenum.  
Call cancel button.

**Accessories:**

**CW-91.** Housing for recessed in solid wall  
**CW-81.** Surface Mount Box