

BG-50/SA-30

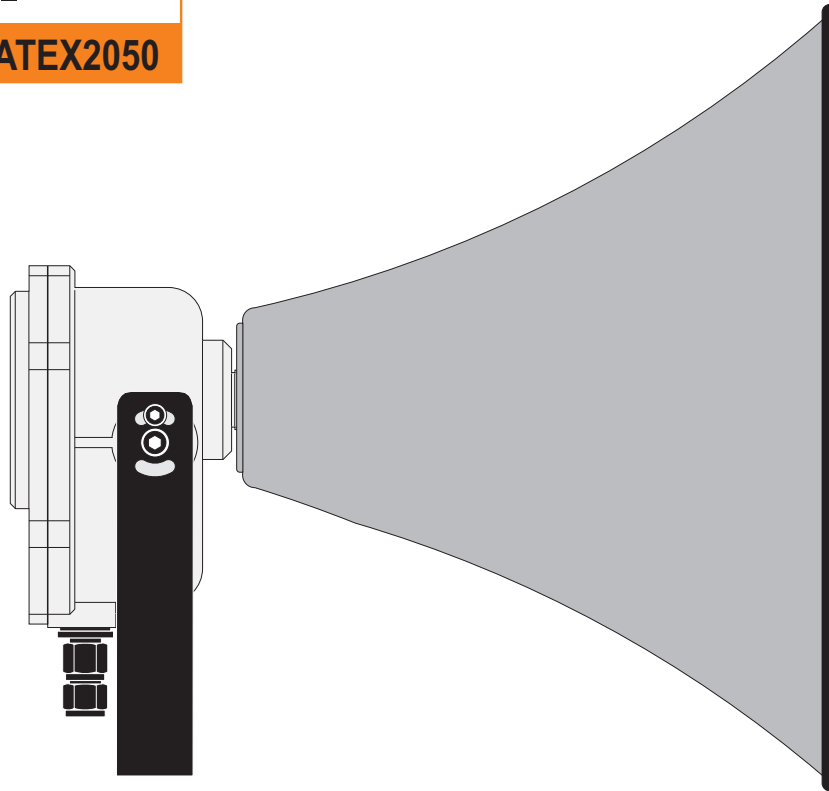


EXPLOSION-PROOF HORN SPEAKER



II 2GD
Ex d IIB T3 Gb
Ex t IIIC T85 °C Db
-20 °C ≤ Ta ≤ +55°C

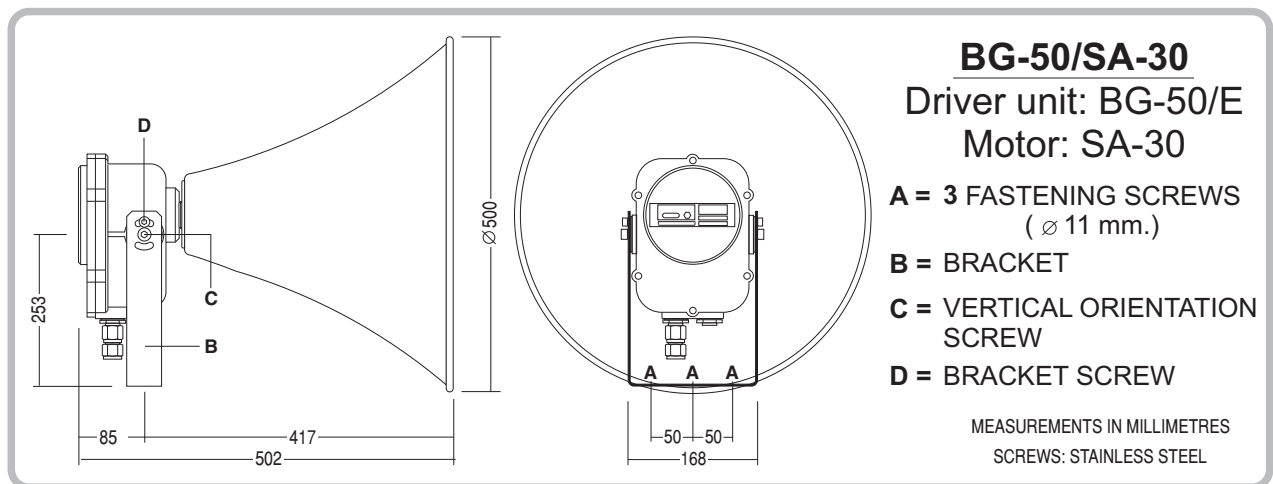
Certificate: LOM 10ATEX2050



TECHNICAL CHARACTERISTICS

- Rated power:	30 W.	- Impedance:	16 Ω / 100 V. line transformer.
- Sensitivity:	107 dB 1 W/1 kHz/1 m.	- Opening angle:	50°.
- Frequency range:	150 to 10000 Hz.	- Weight:	7.1 k.

Power selection (100 V. line): 30 / 15 / 7.5 / 3 W.



Electroacústica



www.udeaudio.com

Main Office Avda. BARCELONA, 24
08970 - SANT JOAN DESPÍ
BARCELONA - ESPAÑA
Tel: 34-93 477 28 54
Fax: 34-93 261 17 52
ude@udeaudio.com

Madrid Delegation C/ LUIS I, 88, 3ª planta
28031 - MADRID
ESPAÑA
Tel: 34-91 311 60 76
Fax: 34-91 450 19 97
centro@udeaudio.com

ISO 9001
BUREAU VERITAS
Certification



UDE reserves the right to modify the technical characteristics of its products without previous notice

610.069A | 1 / 2

DESCRIPTION

The BG-50/SA-30 explosion-proof exponential speaker consists of a BG-50/E exponential pavilion made of aluminium and an SA-30 30 W RMS explosion-proof driver.

The driver has an impedance adaptation transformer for 100 V constant voltage audio-frequency lines, which can also be used with a 70.7 V and 50 V line (see power range table), and can also be connected to low-impedance (16Ω 30 W).

The surround casing is made of aluminium alloy and the screws are made of stainless steel.

INSTALLATION

Its steel bracket means it can be placed to face in any direction, and can also be fixed permanently using two screws which are provided for this purpose.

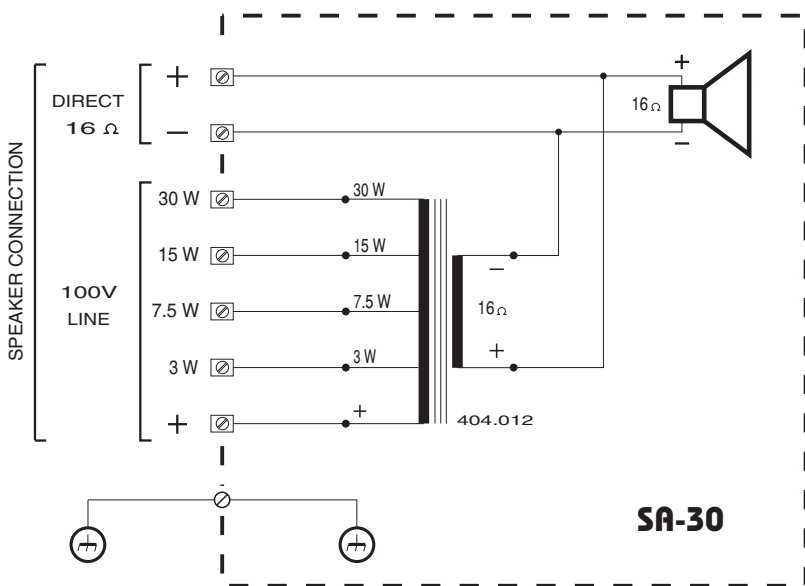
The cable is run in through a 3/4" thread NPT cable gland. If necessary, several speakers can be connected in parallel by removing a threaded obturating plug, and fitting a second stuffing box in its place, thereby simplifying installation.

APPLICATIONS

For indoor and outdoor public address installations, as well as in areas where there is a risk of explosion.

Certificate: LOM 10ATEX2050

Valid for all EEC countries, and others.



	30	15	7.5	3
100 V. L.	30	15	7.5	3
70.7 V. L.	15	7.5	3	1.5
50 V. L.	7.5	3	1.5	-

TYPICAL INSTALLATION

