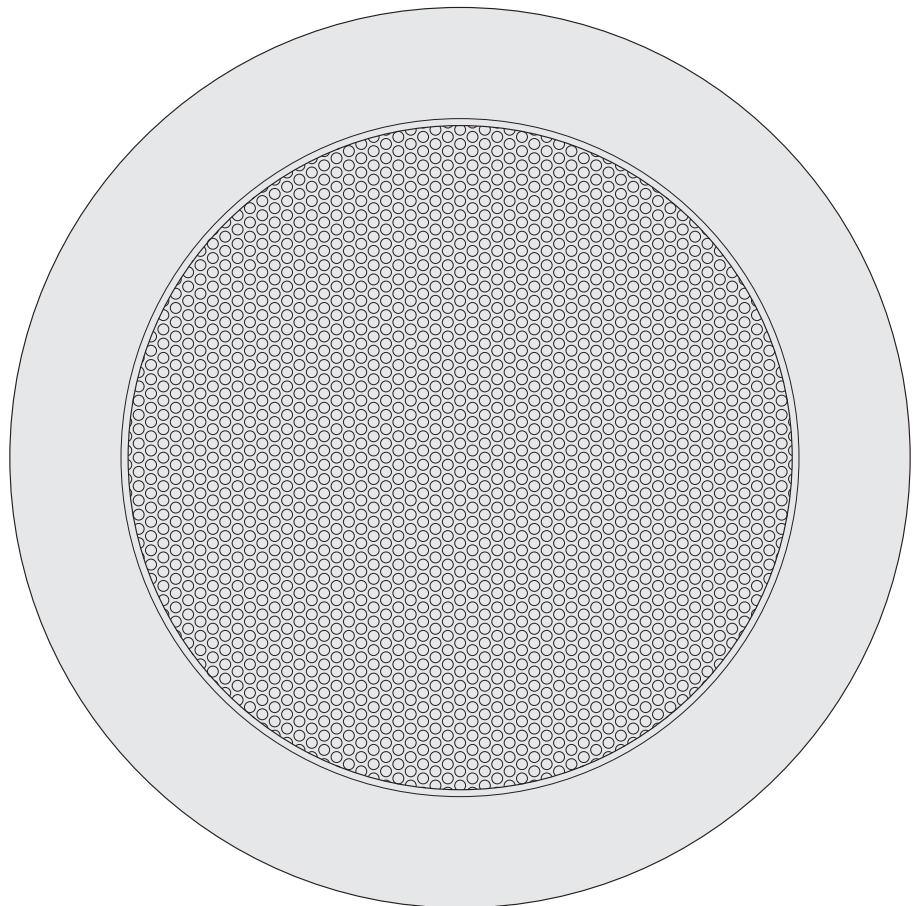
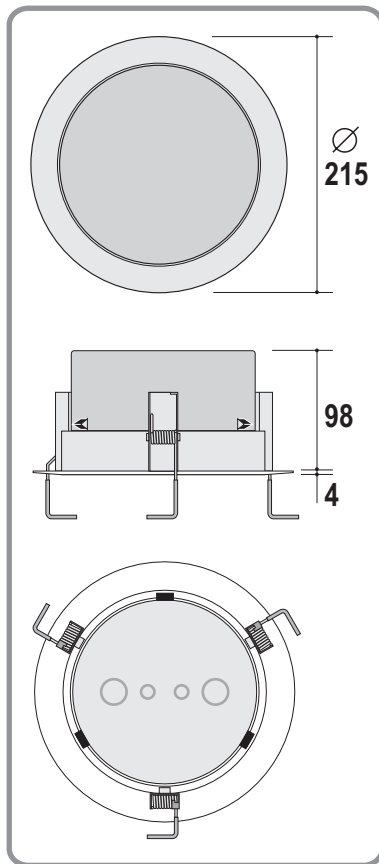


AP-1218



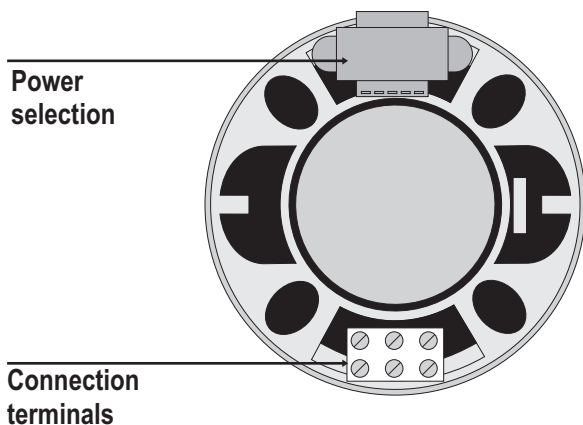
METALLIC CEILING LOUDSPEAKER (6") WITH FIREDOME



TECHNICAL FEATURES

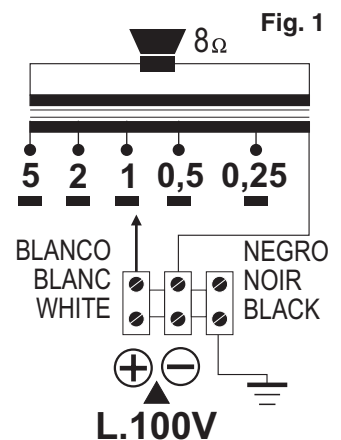
- Rated power: **5-2-1-0,5-0,25W rms. L100V.**
- Loudspeaker's diameter: **6"**
- Frequency range: **85 to 18.000 Hz.**
- Sensitivity: **92 dB 1 W./1 m./1 KHz.**

- Dispersion: **160°**
- Material / colour: **Lacquered steel / Ral White 9010.**
- Connection: **Screw terminals (ceramic terminal block).**
- Weight: **1,350 Kgs.**



POWER SELECTION

L. 100V	
W	Ω
5	2K
2	5K
1	10K
0,5	20K
0,25	40K



Electroacústica



www.udeaudio.com

Main Office Avda. BARCELONA, 24
08970 - SANT JOAN DESPÍ
BARCELONA - ESPAÑA
Tel: 34-93 477 28 54
Fax: 34-93 261 17 52
ude@udeaudio.com

Madrid Delegation C/ LUIS I, 88, 3ª planta
28031 - MADRID
ESPAÑA
Tel: 34-91 311 60 76
Fax: 34-91 450 19 97
centro@udeaudio.com

ISO 9001
BUREAU VERITAS
Certification



UDE reserves the right to modify the technical characteristics of its products without previous notice

610.286A | 1 / 2

1

\varnothing maximal: 205 mm.
 \varnothing minimal: 200 mm. Maximal thickness: 40 mm. Ceiling

2

Remove the loudspeaker from the external body making a slight counter clockwise rotation.

3

Remove the dome, pressing the iron straps "A", and slide it in the interior of the external body.

4

Place the springs "B" in their retaining anchors and introduce the hoop (without the dome) in the hole made in the ceiling. Then release the springs.

5

Open the required drill hole in the dome according to the cable or tube that is being used. Introduce the connecting lead in the tube and then introduce the dome in the interior of the enclosure until it gets fixed by the iron-straps "A".

6

Connect the leads in the terminals "R" and select the power of the transformer "T" of the ceiling loudspeaker (fig. 1). Introduce the ceiling loudspeaker in the interior of the hoop and make a slight clockwise until it gets completely fixed.