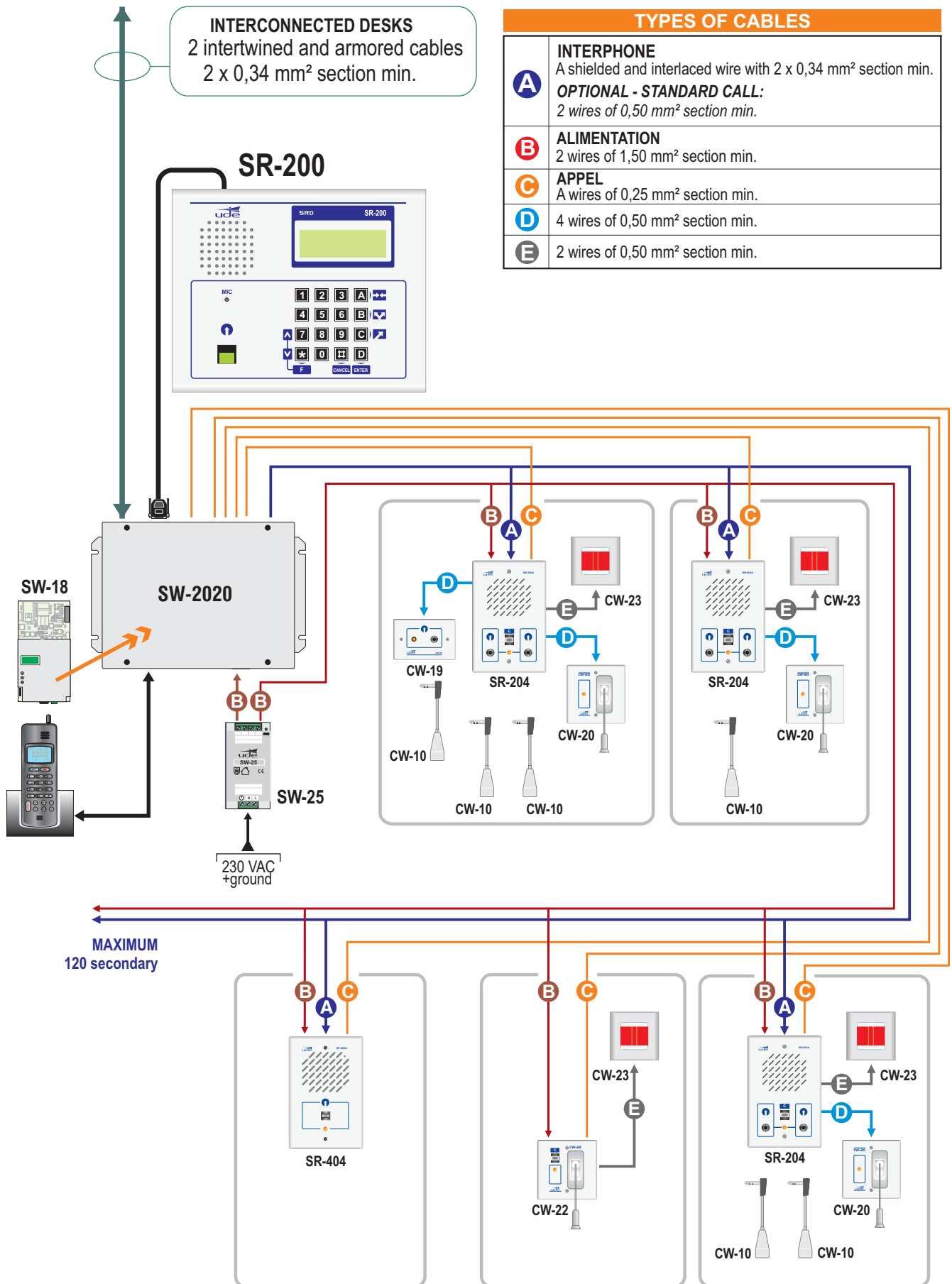


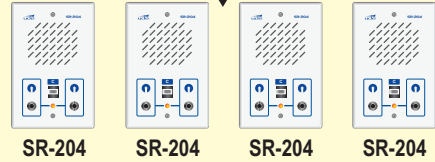
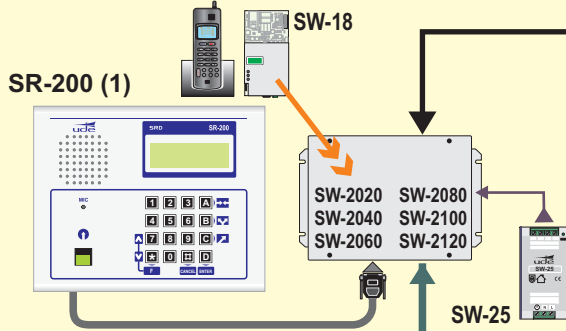
TYPICAL PATTERN INSTALLATION



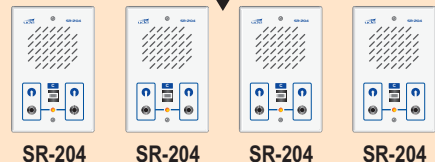
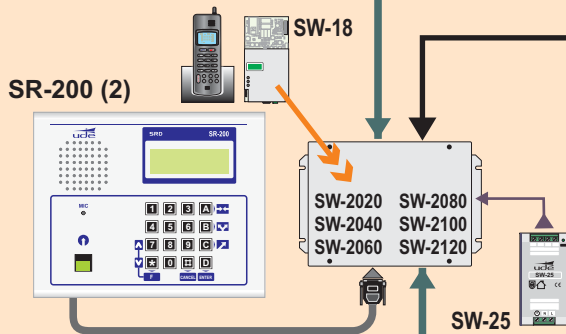
SRD System - STRUCTURE

5 SR-200 centrals maximum

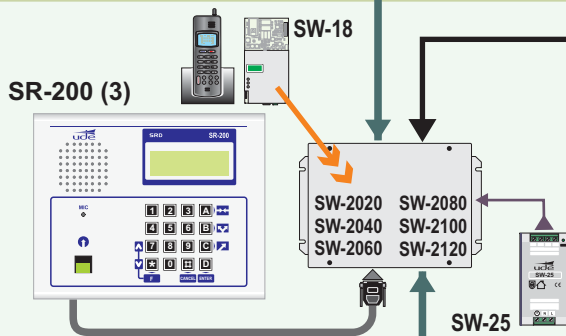
300 SR-204 intercoms maximum



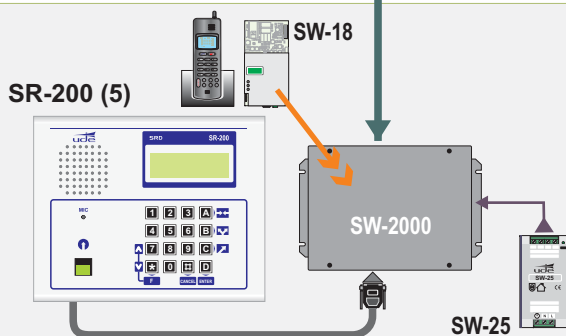
Maximum:
120 SR-204 intercoms for each SR-200 central



Maximum:
120 SR-204 intercoms for each SR-200 central



Maximum:
120 SR-204 intercoms for each SR-200 central

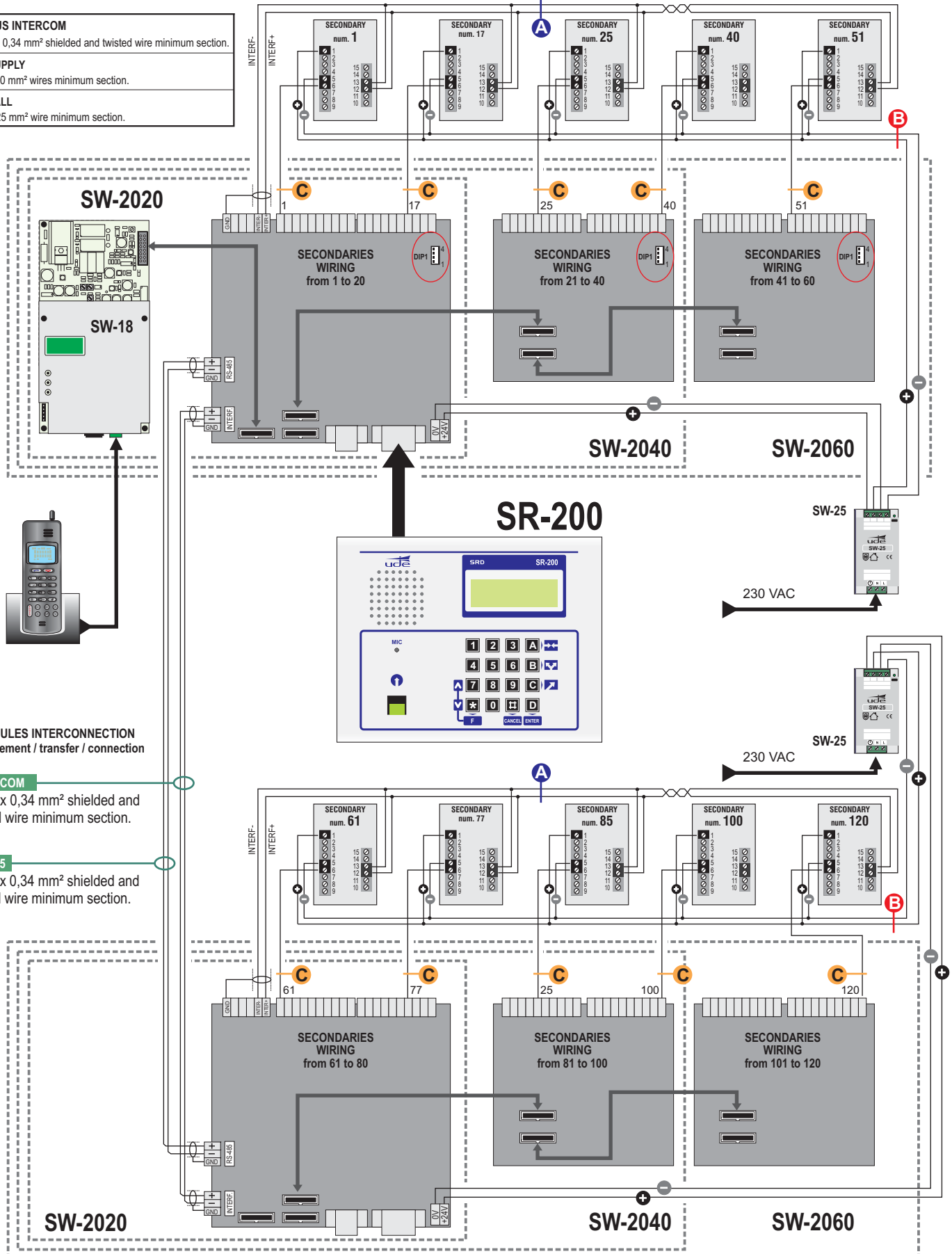


SRD SYSTEM CONNECTIONS

Wiring
120 secondary
example

1 Central SR-200 with telephone interface module SW-18
1 Management, transfer and connection module SW-2120 (SW-2060 + SW-2060)

- A** BUS INTERCOM
One 2 x 0,34 mm² shielded and twisted wire minimum section.
- B** SUPPLY
Two 1,50 mm² wires minimum section.
- C** CALL
One 0,25 mm² wire minimum section.

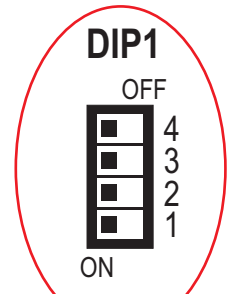
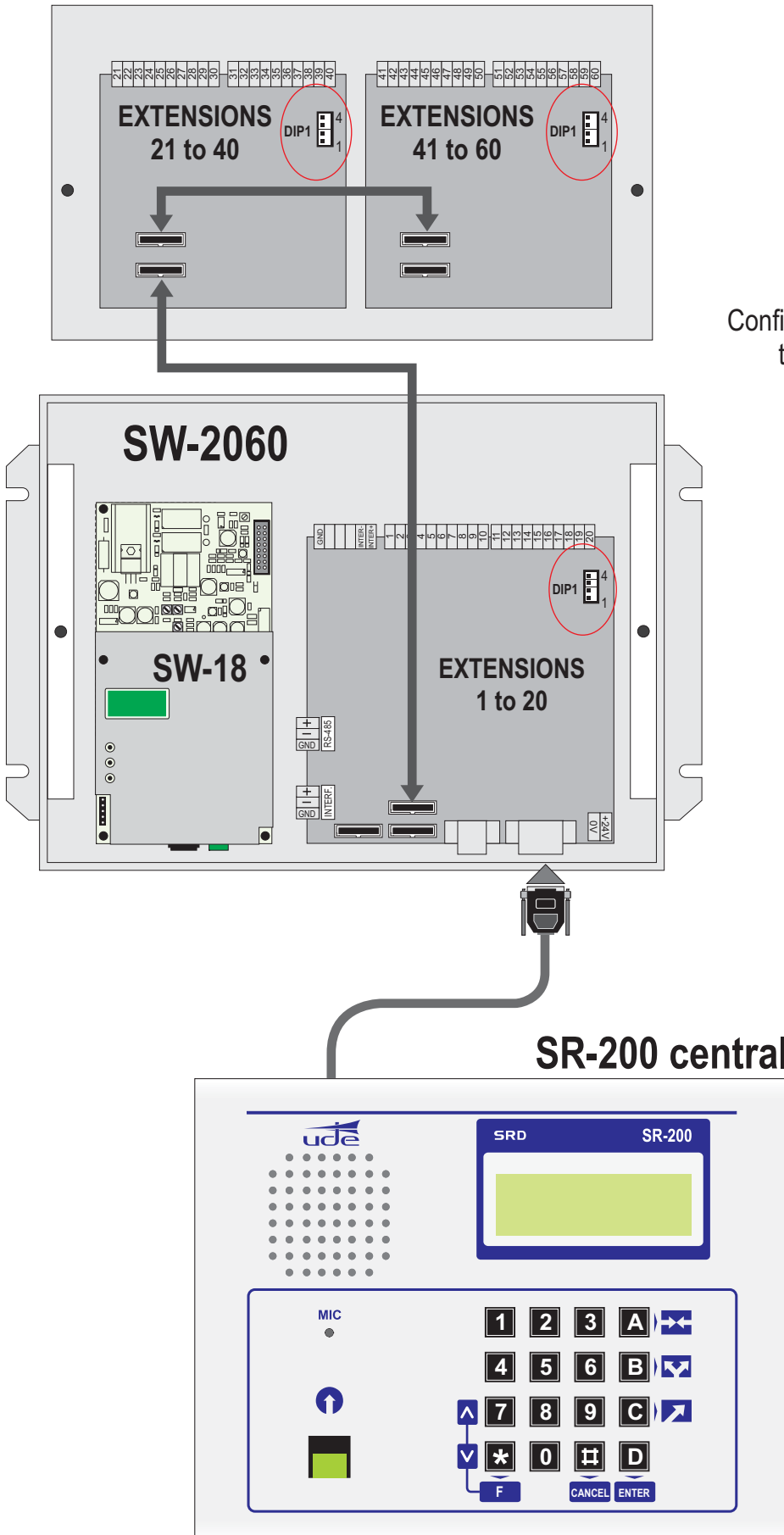


MODULES INTERCONNECTION
Management / transfer / connection

INTERCOM
One 2 x 0,34 mm² shielded and twisted wire minimum section.

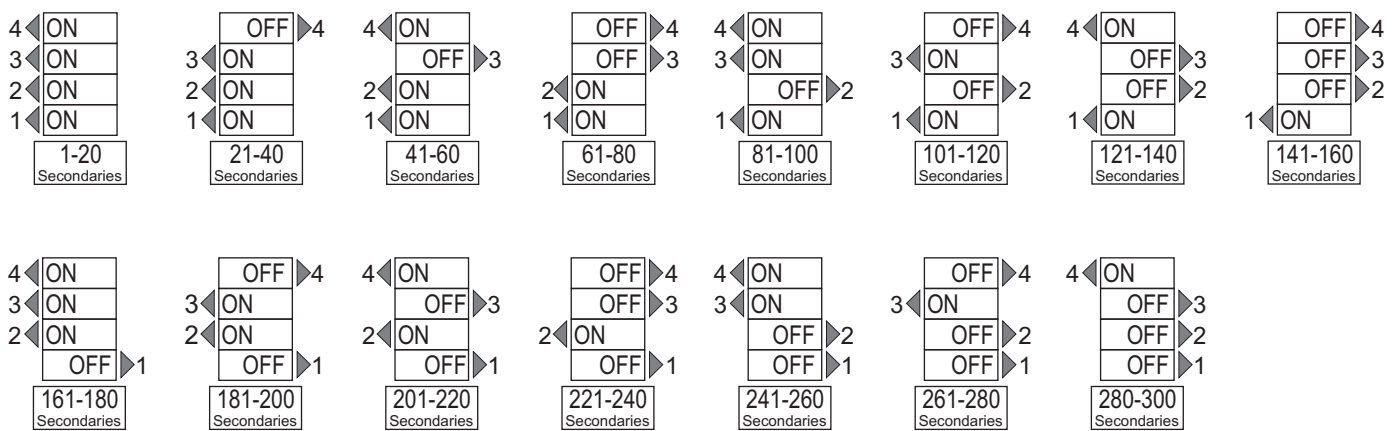
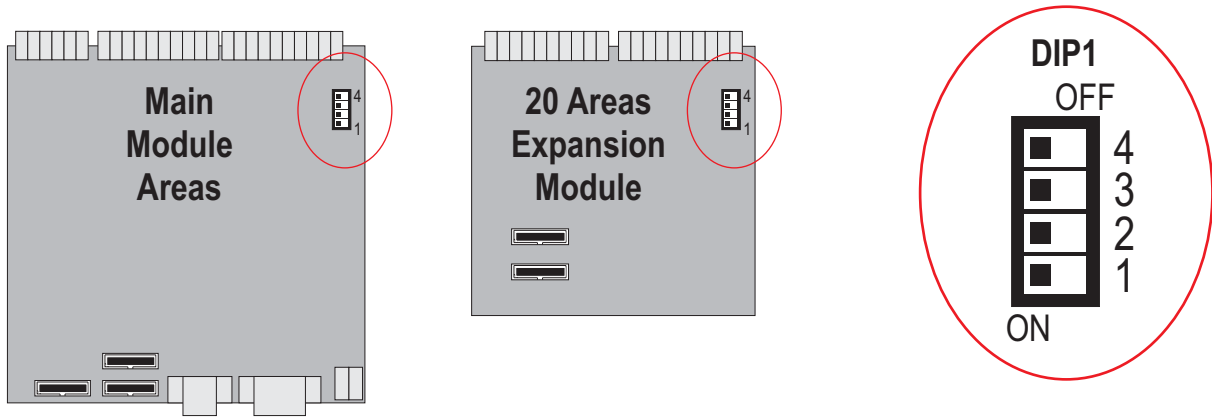
RS-485
One 2 x 0,34 mm² shielded and twisted wire minimum section.

AREAS' MODULES CONFIGURATION



Configure the switch DIP1, according to their associated rooms / areas

AREAS' MODULES CONFIGURATION



AREAS' MODULES CONFIGURATION:

Before setting up the desks is advisable to check the correct system configuration (hard).
 In the SRD Assistance System, there are a number of secondaries in multiples of 20 areas (20 areas, 40, 60...).
 The numbering of the secondary wiring will start with number 1, and must be correlated.
 So a central with 60 zones consists of a SR-200 desk (ID 1), a main module of 1-20 zones, and two extensions of 20 areas everyone from 21 to 40 and from 41 to 60 (these numbers correspond to the terminal cable connection call of each secondary).
 These numbers are assigned by means of switches arranged in each areas'module.

Multiple SR-200 centrals interconnected system:

The interconnection between centrals allows return incoming calls from one station to another, and we can take them in the latter.
 The maximum capacity of secondaries in the same system is 300. When there are multiple interconnected centrals, the numbers assigned to zones must be correlated:

For example: 3 SR-200 central and 220 secondaries system

- Central A: Desk # 1. Secondary 1 to 40
- Central B: Desk # 2. Secondary 41-100
- Central C: Desk # 3. Secondary 101 to 220

The configuration is performed taking into account all of the entire system, including central and secondaries.