

DESCRIPTION

INTERCOM-200 System enables optical and audible signalling of calls made from different zones and to establish two-way intercom spoken between each intercom and the central.

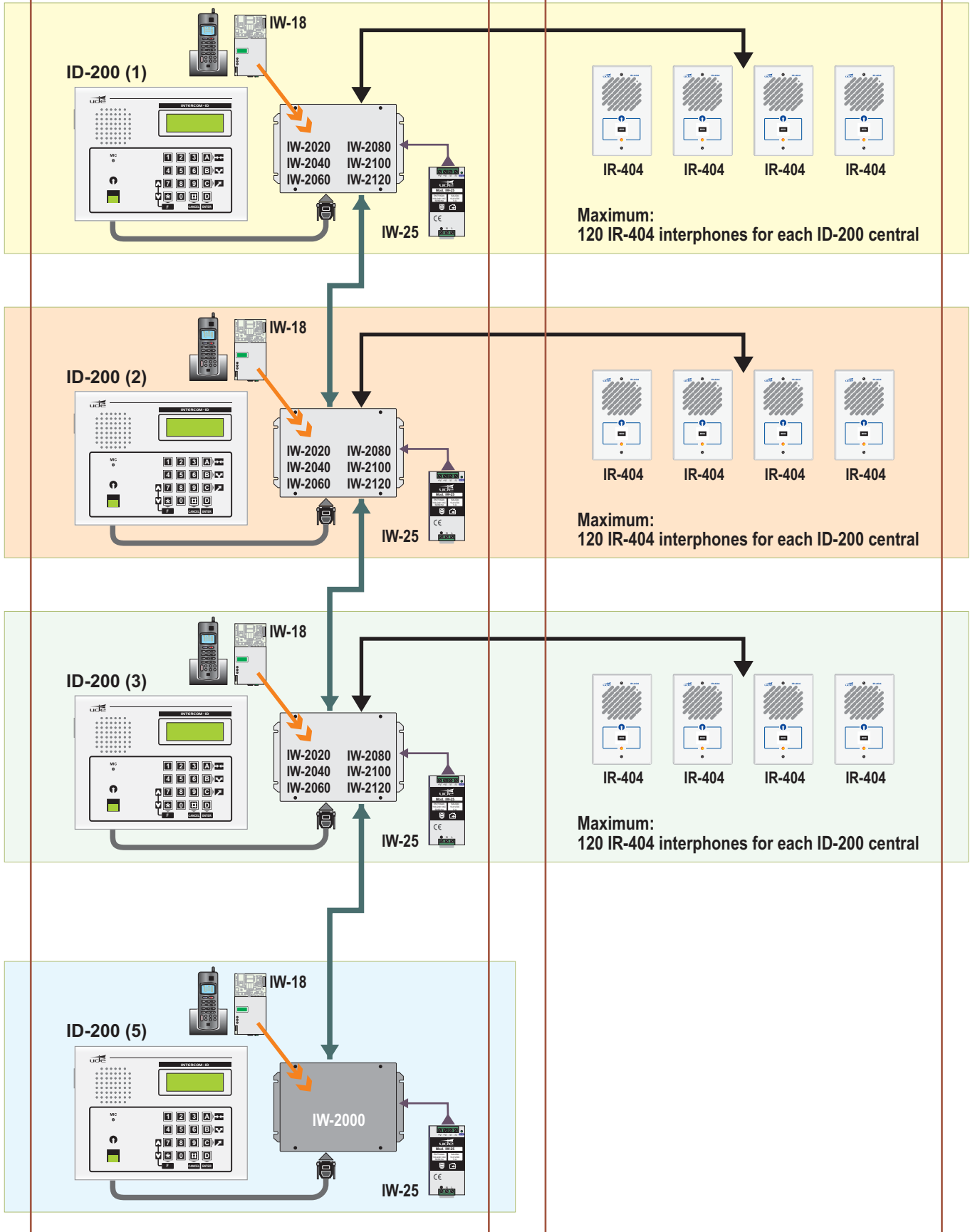
SYSTEM FUNCTIONS

- **Standard call with appeal brief.**
- **Visual and acoustic signaling** in the standard call control central.
- **Cancellation of the standard call center.**
- **Transfer the management of calls between the control centrals.**
- **Transfer calls management to a DECT telephone or a switchboard, by module SW-18 (optional).**
- **Standard sound call** of control central by an external amplifier (optional).
- **Public address call** from an ID-200, needs extra equipment like and audio amplifier and audio transformer (404.072) (optional).

INTERCOM-200 STRUCTURE

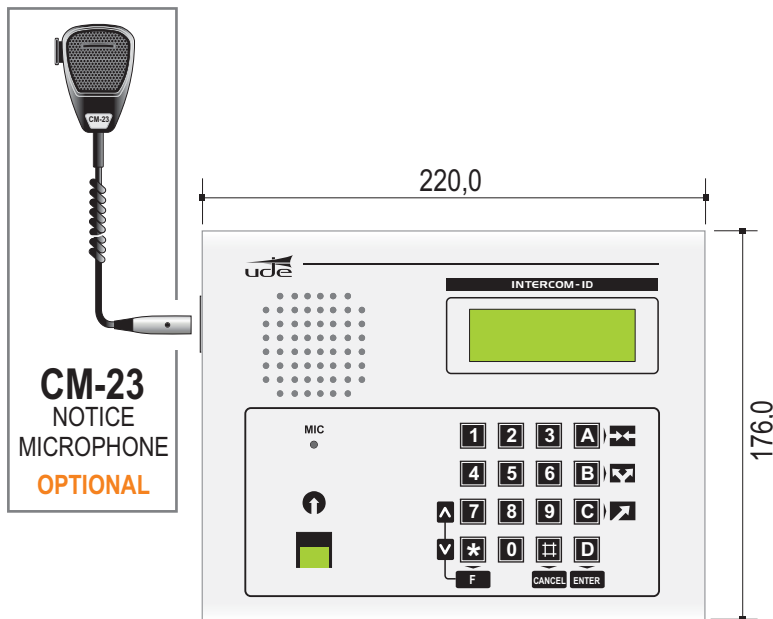
Maximum: 5 ID-200 centrals

Maximum: 300 interphones



DIMENSIONS / ACCESSORIES

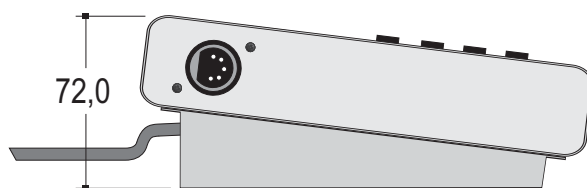
ID-200 CENTRAL



CM-23
NOTICE
MICROPHONE
OPTIONAL

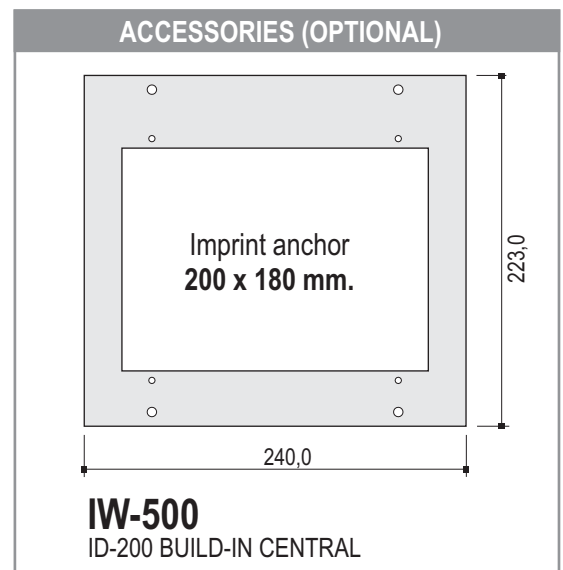
Control central point ID-200, office format, with:

- Lines and functions selection keyboard.
- Alphanumeric LCD display backlit 4 x 20 characters.
- Built-in electret microphone.
- Connectors for microphone believe CM-23.
- Speaker of receipt.
- Reception and acoustic tone of appeal level setting.
- Visual and acoustic signalling calls.
- Visual indication of the selected area.
- Alphanumeric keyboard.
- Its main function is signalling and call management made in different rooms and intercommunication with them.



By the software **UDECONF-ID200** you can configure in the ID-200 central the following parameters:

- Name and ID number of the ID-200 desk.
- Name of each zone.
- Extension number of each zone.
- Zones assigned to each desk.
- Floor/Group situation zone.
- Name of each zone to give the message by telephone interface.

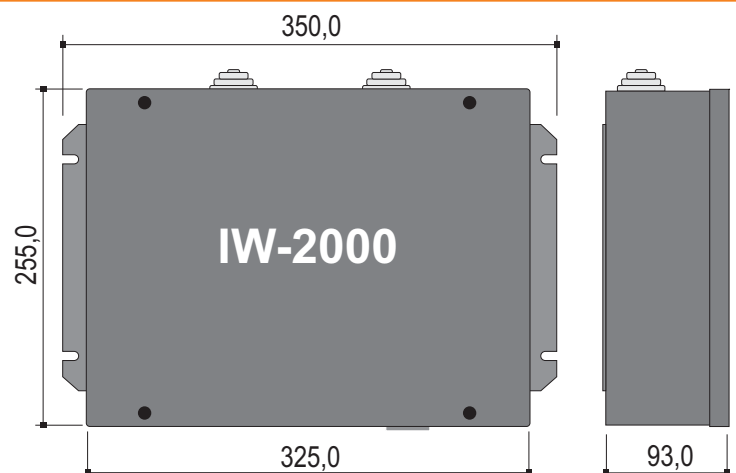


TRANSFER MODULE

Transfer Module.

Allows the connection of a second ID-200 station. It is therefore possible to divert all calls to its management system in this central.

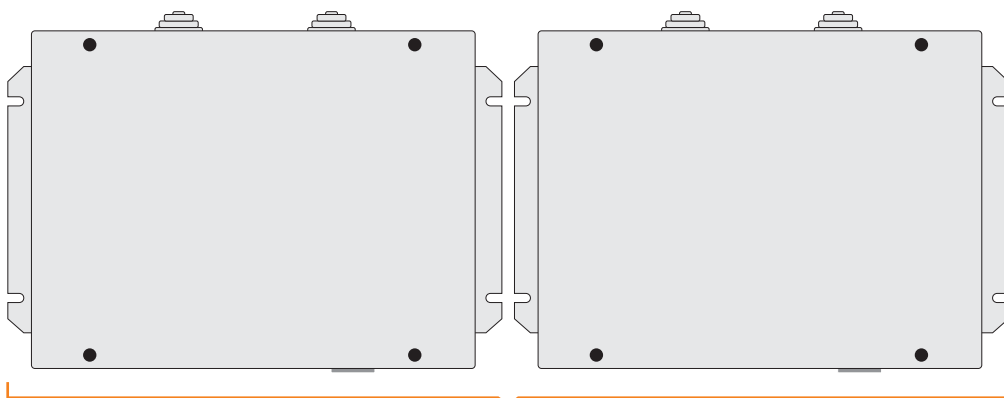
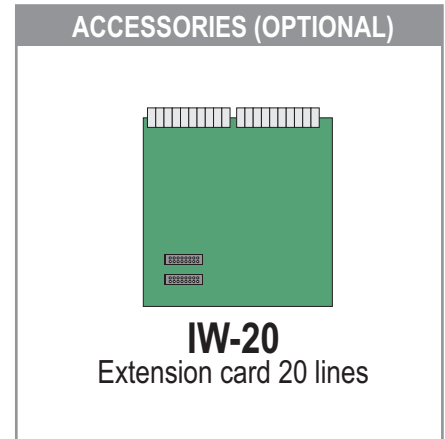
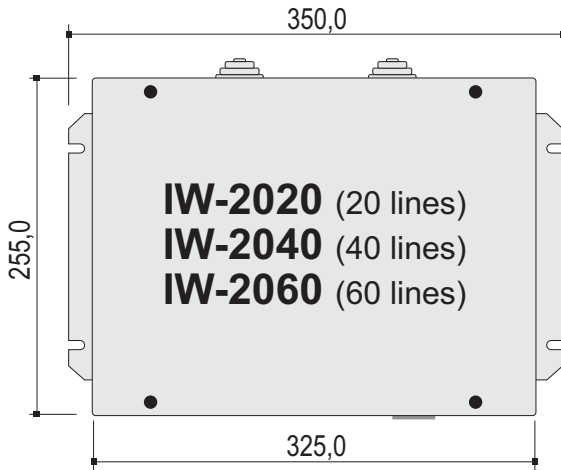
Note. This module does not allow the connection of secondary and still requires an IW-25 power source.



DIMENSIONS / ACCESSORIES

MANAGEMENT, TRANSFER AND CONNECTION MODULE

Management, audio and connections module.
Allow connection with intercom and an ID-200 central.



IW-2080 (80 lines) = IW-2060 + IW-2020

IW-2100 (100 lines) = IW-2060 + IW-2040

IW-2120 (120 lines) = IW-2060 + IW-2060

POWER SOURCE

Power source IW-25

Exchanged power source of 24 Vdc high-performances. DIN rail mounting. By the number of secondary, may need more than one source.

IW-25



LOAD CAPACITY	
MAIN SOURCE	
ID-200	1
IW-18	1
IR-404	60

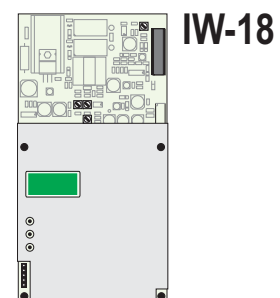
LOAD CAPACITY	
EXTRA SOURCE	
IR-404	80

TELEPHONE INTERFACE

Telephone interface IW-18.

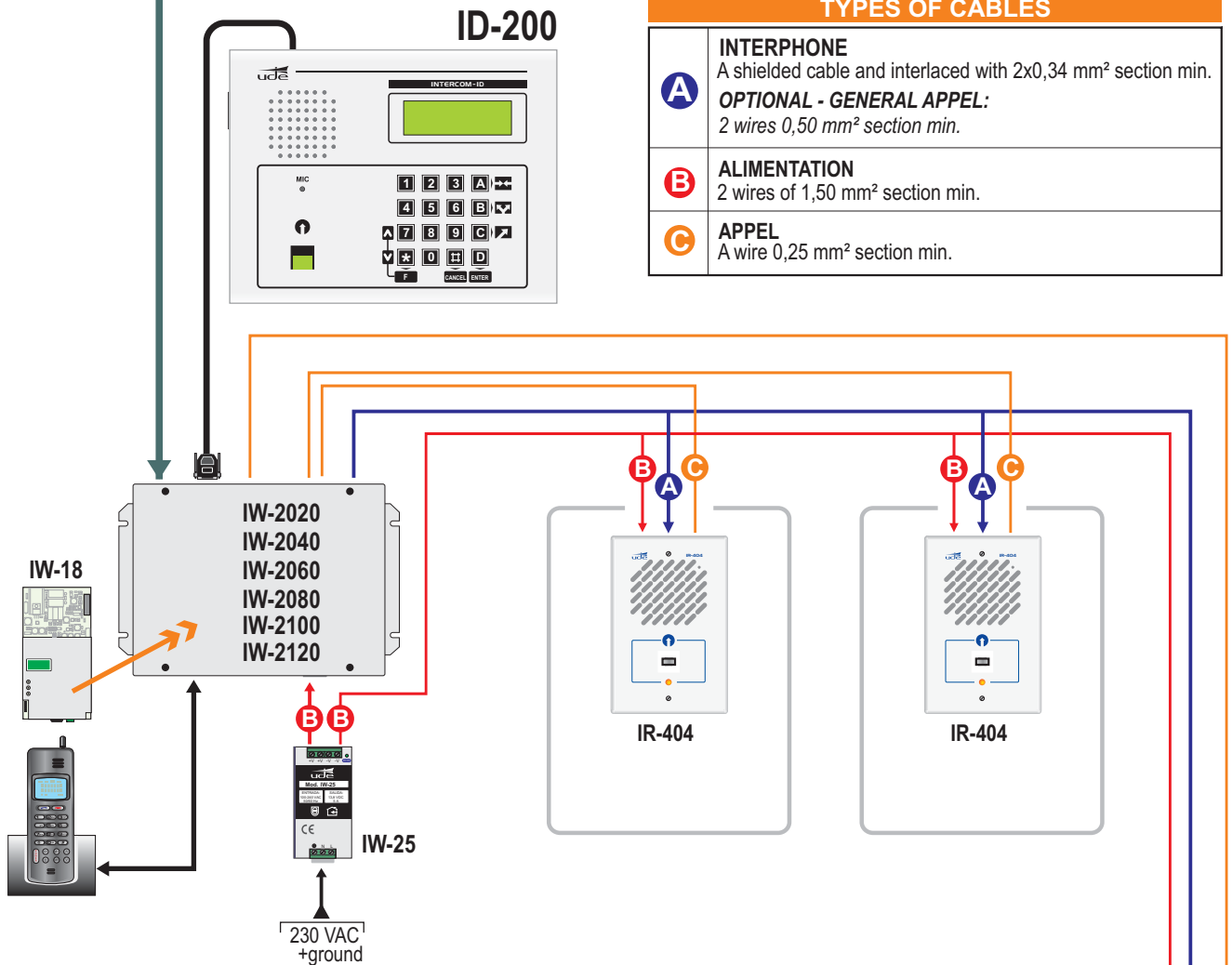
It allows you to forward calls to a two threads phone (type DEC) or a PBX to manage incoming calls in the ID-200 central diverted to the phone.

Each ID-200 central can support one IW-18 module.



TYPICAL PATTERN INSTALLATION

INTERCONNECTED DESKS
2 intertwined and armored cables
2 x 0,34 mm² section min.



TYPES OF CABLES	
A	INTERPHONE A shielded cable and interlaced with 2x0,34 mm ² section min. OPTIONAL - GENERAL APPEL: 2 wires 0,50 mm ² section min.
B	ALIMENTATION 2 wires of 1,50 mm ² section min.
C	APPEL A wire 0,25 mm ² section min.

Interphone IR-404

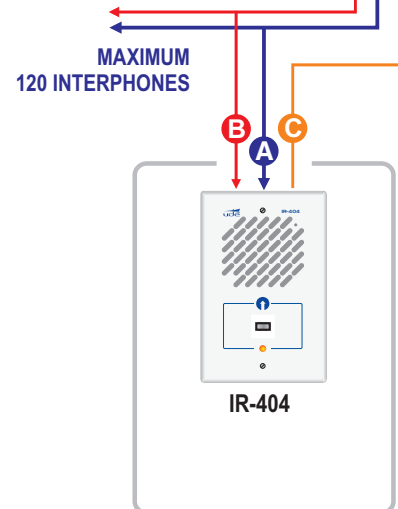
Dimensions:
123 x 180 x 8 mm.

INTERCOMMUNICATION MICROPHONE / SPEAKER

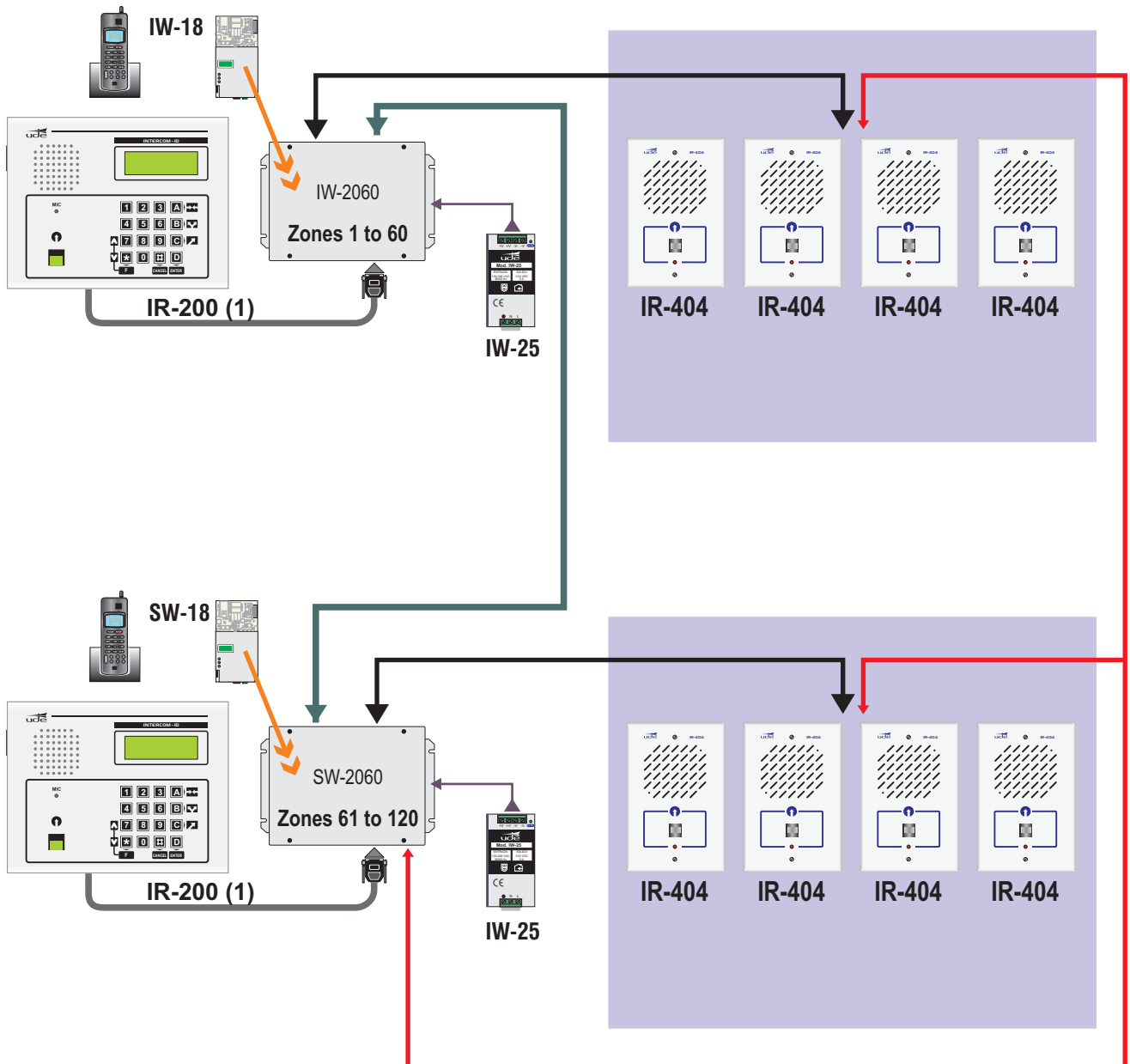
CALL BUTTON

CALL IDENTIFICATION LED

Accessories:
CW-93. Housing for recessed in solid wall.
CW-83. Surface mount box.

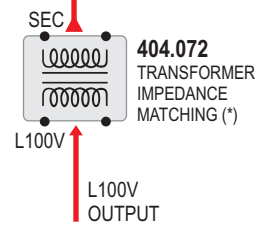


SYSTEM OPTIONS - STANDERD CALL TO ALL SECONDARY



Note (*): It is necessary to connect between audio amplifier and room substation and audio transformer code. 404.072.

OPTIONAL



STANDERD CALLS SECONDARY AMPLIFIER

The power of the amplifier depend on the number associated with intercom system.